



INDUSTRIAL DIESEL ENGINE

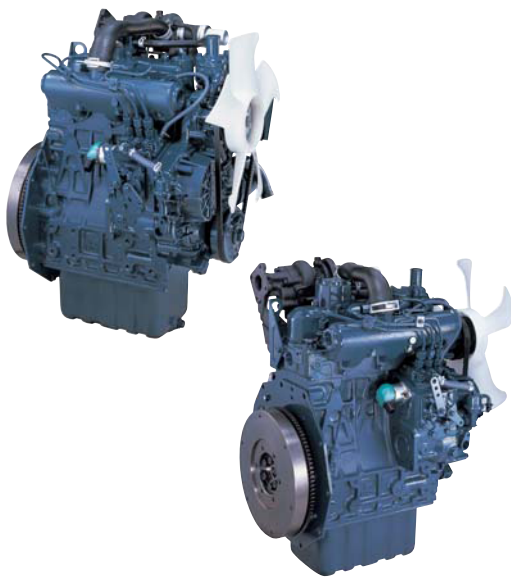
**KUBOTA 05-SERIES (3-cylinder)**

**D1105-T-E3B**

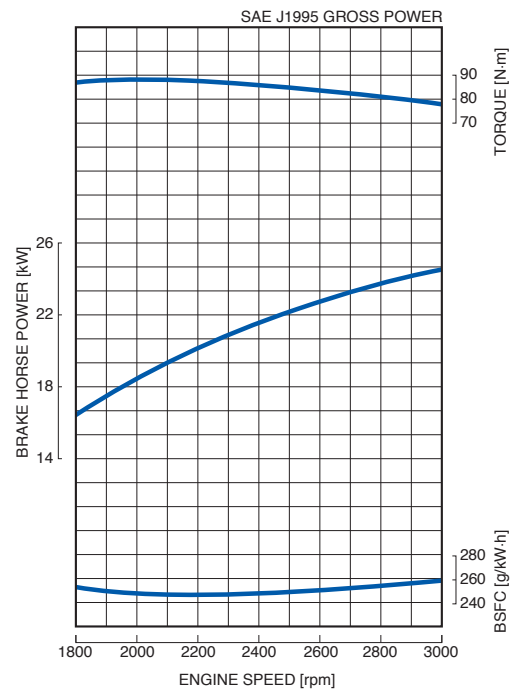


**RATED POWER**

**24.5 kW/3000 rpm**



**PERFORMANCE CURVE**



**FEATURES with BENEFITS**

**Emissions**

- The D1105 Turbocharged engine complies with EPA Interim Tier 4 emissions regulations that are effective through the end of 2012. This engine also complies with EU Stage 3A requirements that are effective through 2012 and beyond in the European market.

**Durable Power**

- The Kubota 05-Series is an established leader in its horsepower range and has been the preferred power source of various industrial equipment manufacturers.
- The D1105-T engine offers a seamless transition from Tier 2 to Interim Tier 4 by maintaining the same footprint and hardware mounting points with no performance changes from the Tier 2 engine.

**Clean and Quiet Power**

- The addition of a closed breather system meets EPA Interim Tier 4 requirements.
- Kubota's original E-TVCS (Three Vortex Combustion System) has been improved. The airflow, combustion chamber and piston recess were optimized to provide a 50% lower particulate matter (PM) level, the same stringent level as above the 37kW-class (EPA Interim Tier 4).

### GENERAL SPECIFICATION

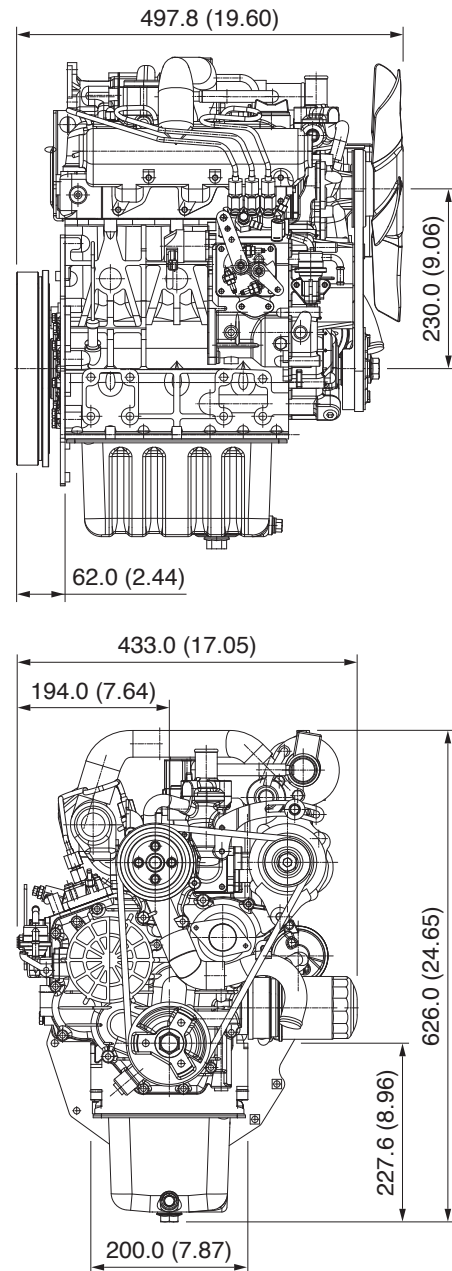
Model		<b>D1105-T-E3B</b>
Emission Regulation		Interim Tier 4 / Stage 3A
Type		Vertical 3-cycle Liquid Cooled Diesel
Number of Cylinders		3
Bore	mm (in)	78.0 (3.07)
Stroke	mm (in)	78.4 (3.09)
Displacement	L (cu.in)	1.123 (68.53)
Combustion System		Indirect Injection
Intake System		Turbocharged
Maximum Speed	rpm	3000
Output: SAE J1995 Gross Power	kW	24.5
	hp	32.8
	ps	33.3
Direction of Rotation		Counterclockwise Viewed on Flywheel
Oil Pan Capacity	L (gal)	5.1 (1.35)
Starter Capacity	V-kW	12-1.2 [US] / 12-1.4 [EU]
Alternator Capacity	V-A	12-40
Length	mm (in)	497.8 (19.60)
Width	mm (in)	433.0 (17.05)
Height (1)	mm (in)	626.0 (24.65)
Height (2)	mm (in)	227.6 (8.96)
Dry Weight	kg (lb)	97.0 (213.8)

\*Specification is subject to change without notice.

\*Dry weight is according to Kubota's standard specification. When specification varies, the weight will vary accordingly.

\*SAE J1995 Gross Power: 1-hour rating based on engine without cooling fan, air cleaner and muffler, with alternator.

### DIMENSIONS



I.M.A. H.-D. Gröschler GmbH  
 Westring 41  
 Industriegebiet Asemissen  
 D-33818 Leopoldshöhe

Phone: +49 52 02 / 98 75 - 0  
 Fax: +49 52 02 / 98 75 - 15  
 Internet: [www.i-m-a.de](http://www.i-m-a.de)  
 E-mail: [info@i-m-a.de](mailto:info@i-m-a.de)

