



INDUSTRIAL DIESEL ENGINE

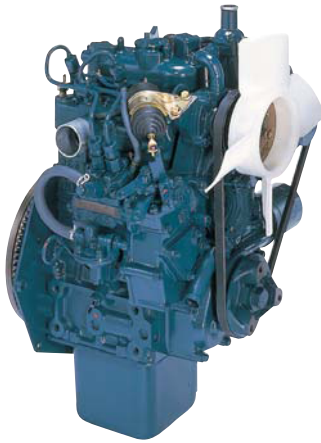
**KUBOTA SUPER MINI SERIES (2-cylinder)**

**Z482-E3B**

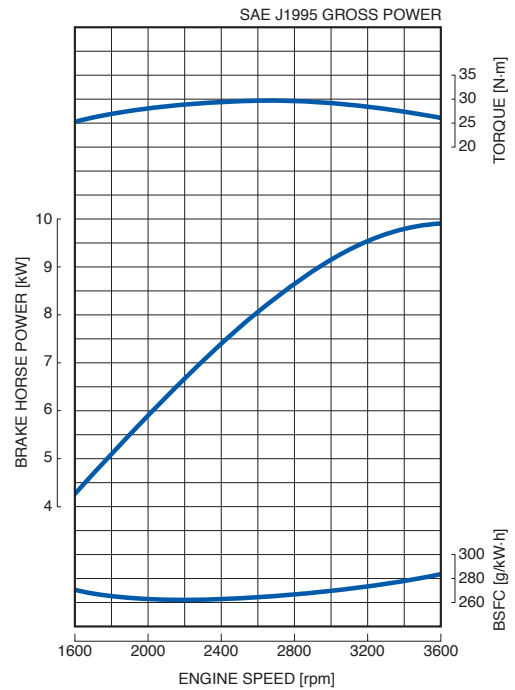


**RATED POWER**

**9.9 kW/3600 rpm**



**PERFORMANCE CURVE**



**FEATURES with BENEFITS**

**Emissions**

- Kubota Super Mini Series, the most compact multi-cylinder liquid cooled industrial diesel engines, complies with EPA Tier 4 emissions regulations. These are the most stringent emissions regulations in the world in this class.

**Durable Power**

- The Kubota Super Mini Series has been chosen as a power source for a variety of applications since it was first launched 25 years ago. It has become the benchmark in the compact diesel engine market.
- The Z482 engine offers a seamless transition from Tier 2 to Tier 4 by totally maintaining the same performance and physical characteristics of the previous Tier 2 engines.

**Clean and Quiet Power**

- Kubota's original E-TVCS (Three Vortex Combustion System) has been improved. The combustion chamber was optimized to achieve a 50% lower particulate matter (PM) level in such a small size range.

## GENERAL SPECIFICATION

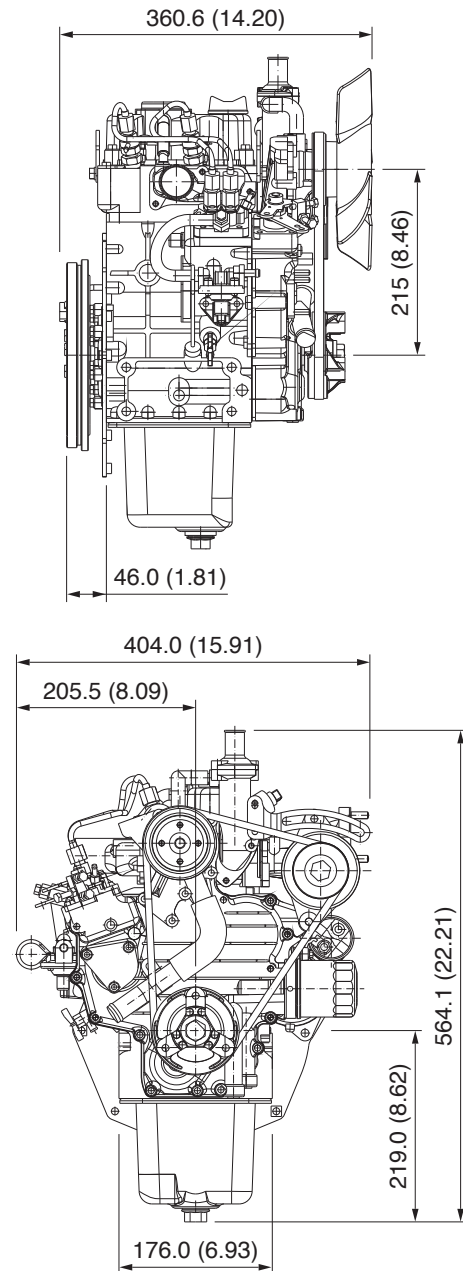
Model		<b>Z482-E3B</b>
Emission Regulation		Tier 4
Type		Vertical 2-cycle Liquid Cooled Diesel
Number of Cylinders		2
Bore	mm (in)	67 (2.64)
Stroke	mm (in)	68 (2.68)
Displacement	L (cu.in)	0.479 (29.23)
Combustion System		Indirect Injection
Intake System		Naturally Aspirated
Maximum Speed	rpm	3600
Output: SAE J1995 Gross Power ( Industrial Use )	kW	9.9
	hp	13.3
	ps	13.5
Direction of Rotation		Counterclockwise Viewed on Flywheel
Oil Pan Capacity	L (gal)	2.5 (0.66)
Starter Capacity	V-kW	12-0.8
Alternator Capacity	V-A	12-12.5
Output: Stand-by ( Generator Use )	kW	8.9
	hp	11.9
	ps	12.1
Output: Continuous ( Generator Use )	kW	8.1
	hp	10.9
	ps	11.0
Length	mm (in)	360.6 (14.20)
Width	mm (in)	404.0 (15.91)
Height (1)	mm (in)	564.1 (22.21)
Height (2)	mm (in)	219.0 (8.62)
Dry Weight	kg (lb)	53.1 (117.1)

\*Specification is subject to change without notice.

\*Dry weight is according to Kubota's standard specification.  
When specification varies, the weight will vary accordingly.

\*SAE J1995 Gross Power: 1-hour rating based on engine without cooling fan, air cleaner and muffler, with alternator.

## DIMENSIONS



I.M.A. H.-D. Gröschler GmbH  
Westring 41  
Industriegebiet Asemissen  
D-33818 Leopoldshöhe

Phone: +49 52 02 / 98 75 - 0  
Fax: +49 52 02 / 98 75 - 15  
Internet: [www.i-m-a.de](http://www.i-m-a.de)  
E-mail: [info@i-m-a.de](mailto:info@i-m-a.de)

